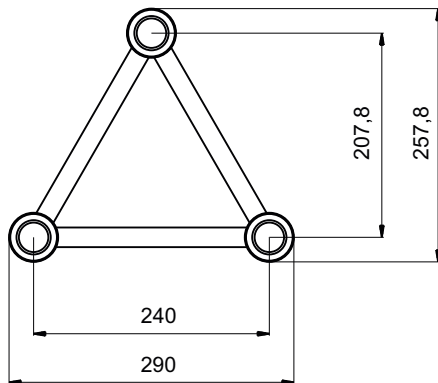
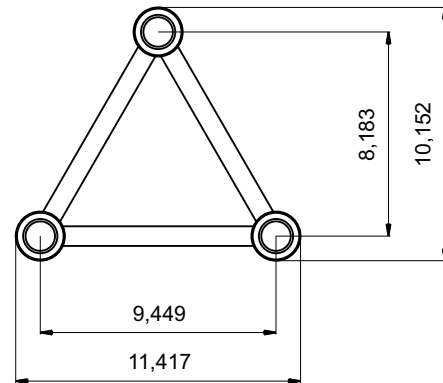


SIZE IN MILLIMETRS



SIZE IN INCHES



SPECIFICATIONS

TUBES	50x2mm (2 x 0.08inch)
BRACES	16x2 mm (0.63 x 0.08inch)
ALLOY	EN-AW 6082 T6



STRAIGHT SEGMENT LENGTHS

CODE	LENGTH		WEIGHT	
	m	ft	kg	lbs
PT33-50	0.5m	1.64ft	2.5kg	5.46lbs
PT33-75	0.75	2.46ft	3.3kg	7.31lbs
PT33-100	1m	3.28ft	4.1kg	9.13lbs
PT33-150	1.5m	4.92ft	5.8kg	12.77lbs
PT33-200	2m	6.56ft	7.4kg	16.41lbs
PT33-250	2.5	8.2ft	9.1kg	20.04lbs
PT33-300	3m	9.84ft	10.7kg	23.68lbs
PT33-350	3.5m	11.48ft	12.4kg	27.32lbs
PT33-400	4m	13.12ft	14.0kg	30.96lbs
PT33-450	4.5m	14.76ft	15.7kg	34.60lbs
PT33-500	5m	16.4ft	17.3kg	38.23lbs

LOADING TABLES

	2 m	4 m	6 m	8 m	10 m	12 m
Distrib. Load [kg/m]	680	206	97	54	33	20
Deflection [mm]	2.3	11.5	28.1	51	78.3	107.2
Point load [kg]	761	413	292	217	163	133
Deflection [mm]	2.1	9.3	22.7	41.5	64.3	96
	6.56 ft	13.12 ft	19.68 ft	26.24 ft	32.81 ft	37.37 ft
Distrib. Load [lb/ft]	457	138.4	65.2	36.3	22.2	13.4
Deflection [inch]	0.1	0.5	1.1	2	3.1	4.2
Point load [lb]	1678	910.7	643.9	478.5	359.4	293.3
Deflection [inch]	0.1	0.4	0.9	1.6	2.5	3.8